

Sylvester's Dock Seal Bottom Boot – An Economical Way to extend the life of your Damaged Dock Seals.



BEFORE

The bottom of the dock seal is tearing from use and causing the dock seal to not be as effective



Sylvester's Bottom Boot protects your dock seal from further damage.

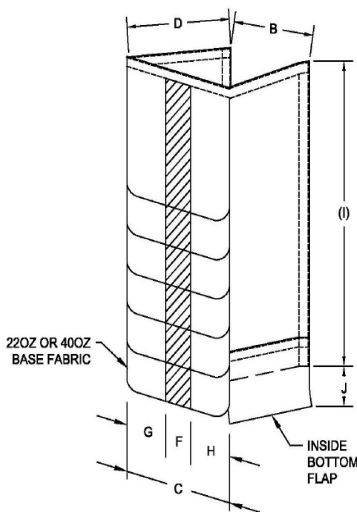


AFTER

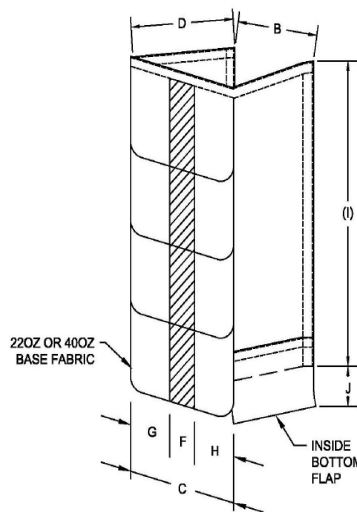
Sylvester's Bottom Boot wraps around the bottom of your dock seal, repairing the damage without having to completely replace your unit.

Before you replace your Dock Seals or Dock Shelters, there may be an economical solution. Sylvester's offers low-cost solutions for repairing all types of Dock Equipment.

Forklifts, natural weather elements, loaded pallets, loading & unloading tractor trailers, etc, all contribute to Dock Seal Damage. Sylvester's has the solution! Don't buy a whole new dock seal when you can repair your existing Dock Seal. Simply, complete the information below.



4" EXPOSURE
LEFT SIDE SHOWN,
RIGHT SIDE OPPOSITE



8" EXPOSURE
LEFT SIDE SHOWN,
RIGHT SIDE OPPOSITE

Company Name: _____
Your Name: _____
Email: _____
Dock # _____; or Quantity Needed: _____

Side Pad Info: __ Left Side; __ Right Side
Bevel (B) Back ___" / (C) Face ___" = ___"
Side Pad Projection (D): ___"

Wear Pleat Info: Face Width (C): ___"
__ 4" Exposure Lap; __ 8" Exposure Lap

Guide Stripe Info: Guide Stripe __ Y; __ N
Guide Stripe Width (F) ___"
Left of Guide Stripe Width (G) ___"
Right of Guide Stripe Width (H) ___"

Wear Pleat Panel Height (I): ___"
Inside Bottom Flap Height (J): ___"4" Std
Fabric/Material Weight: __ 22oz; __ 40oz

Visit our website at: www.sylvestersmm.com

303-495-2299 | email: service@sylvestersmm.com