

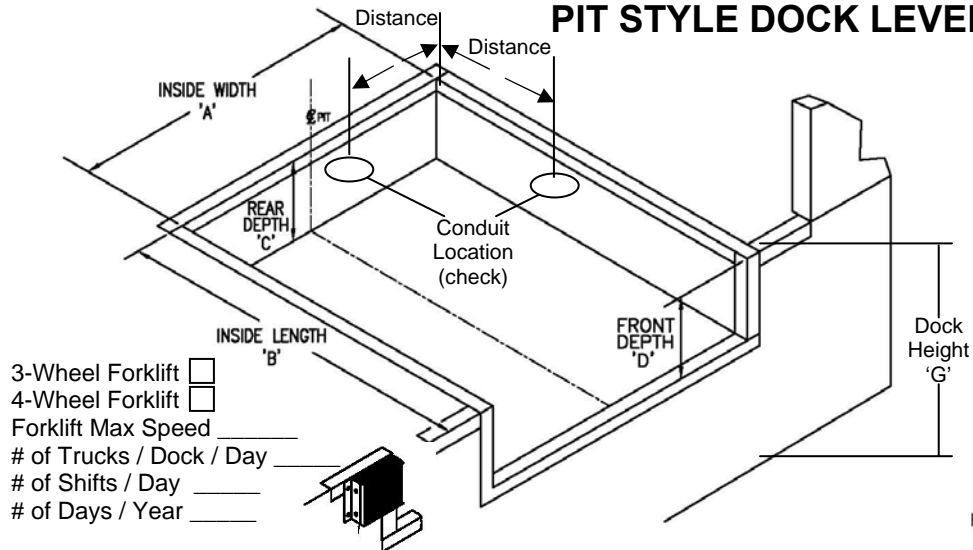


# LOADING DOCK SITE SURVEY

Sylvester's Maintenance & Mechanical  
Centennial, CO 80112

Customer: \_\_\_\_\_ Contact: \_\_\_\_\_ 303-495-2299  
Phone: \_\_\_\_\_ Email: \_\_\_\_\_

## PIT STYLE DOCK LEVELER



Loading Dock Information

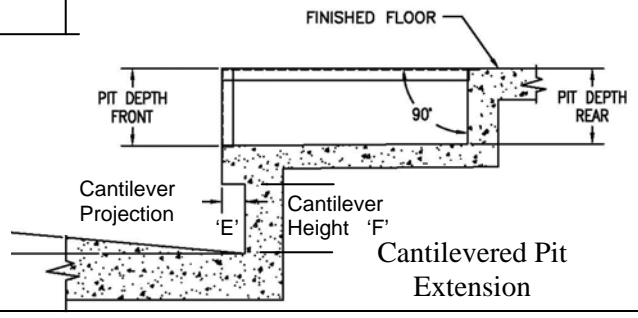
Pit Inside Width A \_\_\_\_\_  
 Pit Inside Length B \_\_\_\_\_  
 Pit Rear Depth C \_\_\_\_\_  
 Pit Front Depth D \_\_\_\_\_  
 Cantilever Projection E \_\_\_\_\_  
 Cantilever Height F \_\_\_\_\_  
 Dock Height G \_\_\_\_\_  
 Bumper Projection \_\_\_\_\_  
 Bumper Width \_\_\_\_\_  
 Bumper Height \_\_\_\_\_  
 Type: Laminated / Steel Face / Molded \_\_\_\_\_  
Phase Requirement  
 Single  3 Phase  Voltage \_\_\_\_\_

3-Wheel Forklift   
 4-Wheel Forklift   
 Forklift Max Speed \_\_\_\_\_  
 # of Trucks / Dock / Day \_\_\_\_\_  
 # of Shifts / Day \_\_\_\_\_  
 # of Days / Year \_\_\_\_\_

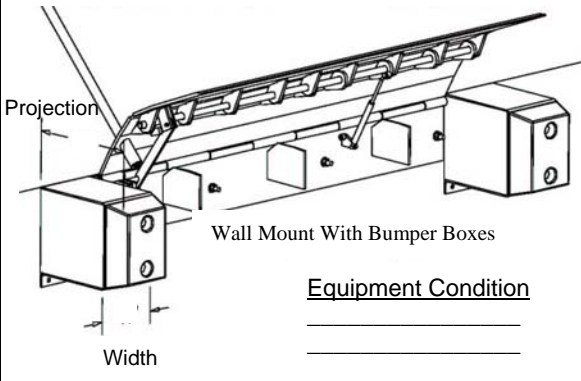
Lift Type (circle): Manual Pallet Jack \_\_\_\_\_  
 Powered Pallet Jack \_\_\_\_\_  
 Electric Lift \_\_\_\_\_  
 Gas Lift \_\_\_\_\_

Gross Vehicle Weight (GVW)  
 Forklift Weight \_\_\_\_\_  
 Heaviest Load \_\_\_\_\_  
 Attachment Weight \_\_\_\_\_  
 Total Gross Weight \_\_\_\_\_

Equipment Condition  
 \_\_\_\_\_  
 \_\_\_\_\_  
 \_\_\_\_\_

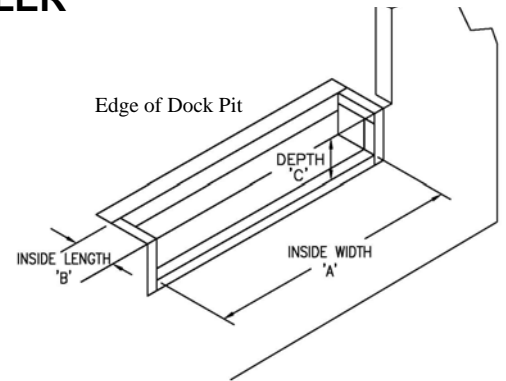


## EDGE OF DOCK LEVELER



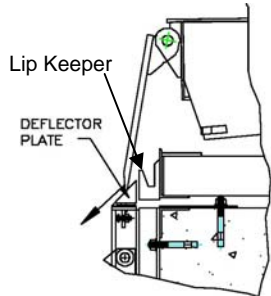
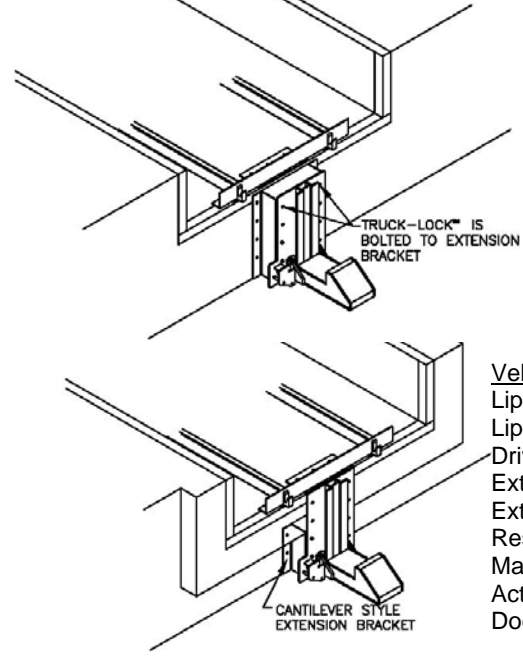
### Edge of Dock Pit Information

Pit Inside Width A \_\_\_\_\_  
 Pit Inside Length B \_\_\_\_\_  
 Pit Depth C \_\_\_\_\_  
 Bumper Projection \_\_\_\_\_  
 Bumper Width \_\_\_\_\_  
 Bumper Height \_\_\_\_\_  
 Bumper Type: Molded / Steel Face \_\_\_\_\_  
 Activation: Manual/Powered \_\_\_\_\_  
 Single  3 Phase  Voltage \_\_\_\_\_



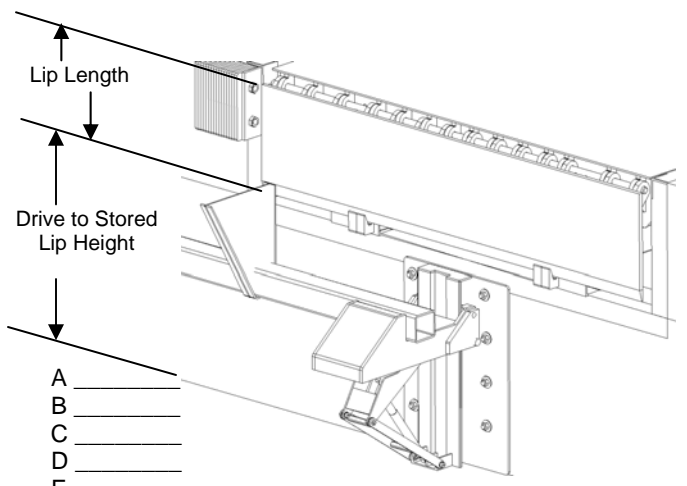
Equipment Condition  
 \_\_\_\_\_  
 \_\_\_\_\_

## VEHICLE RESTRAINT

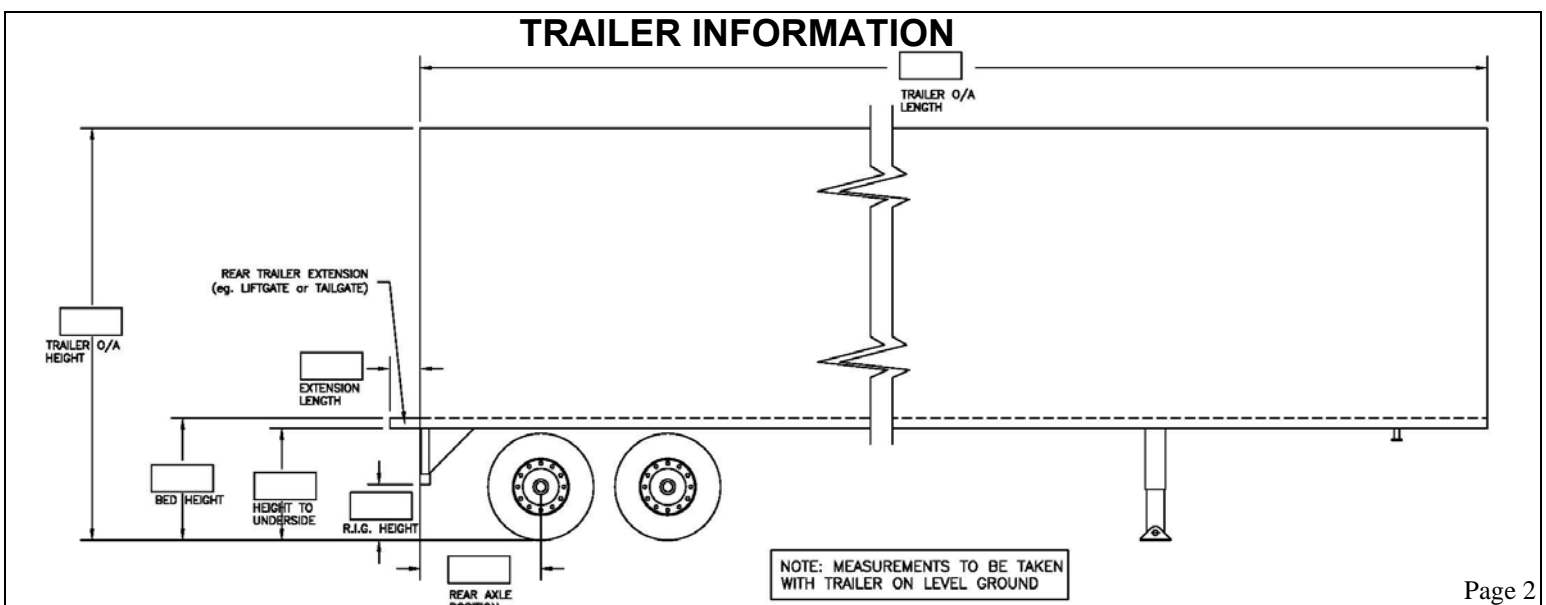
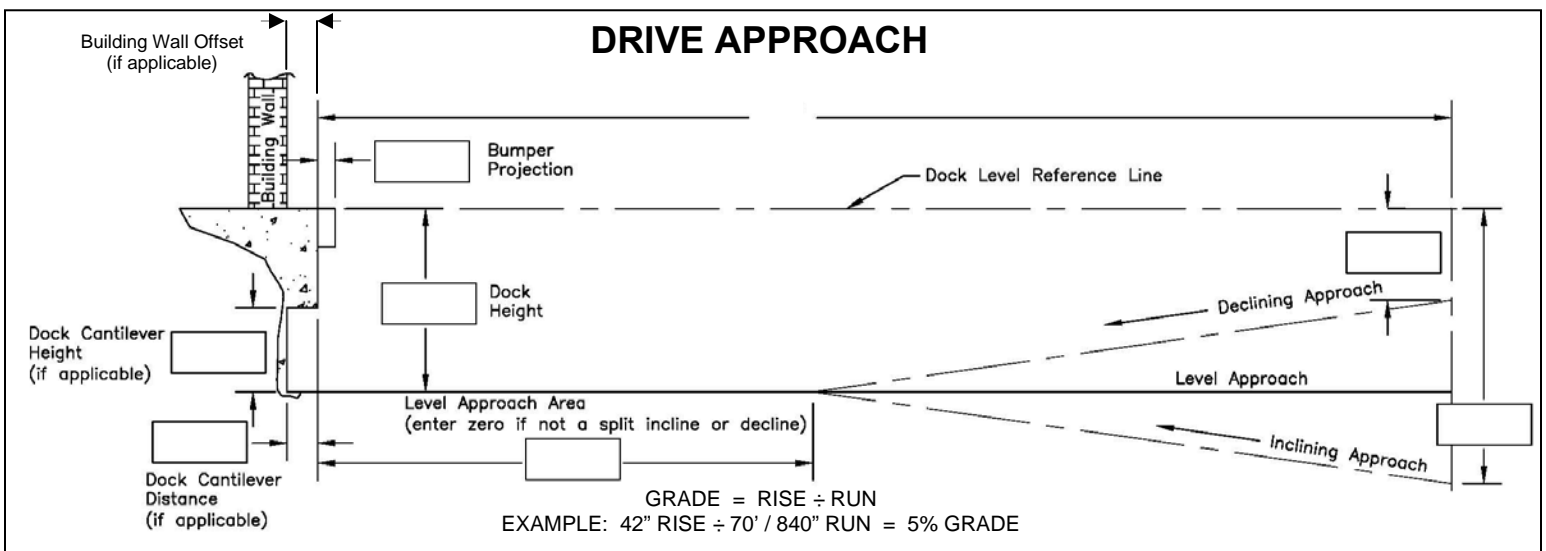
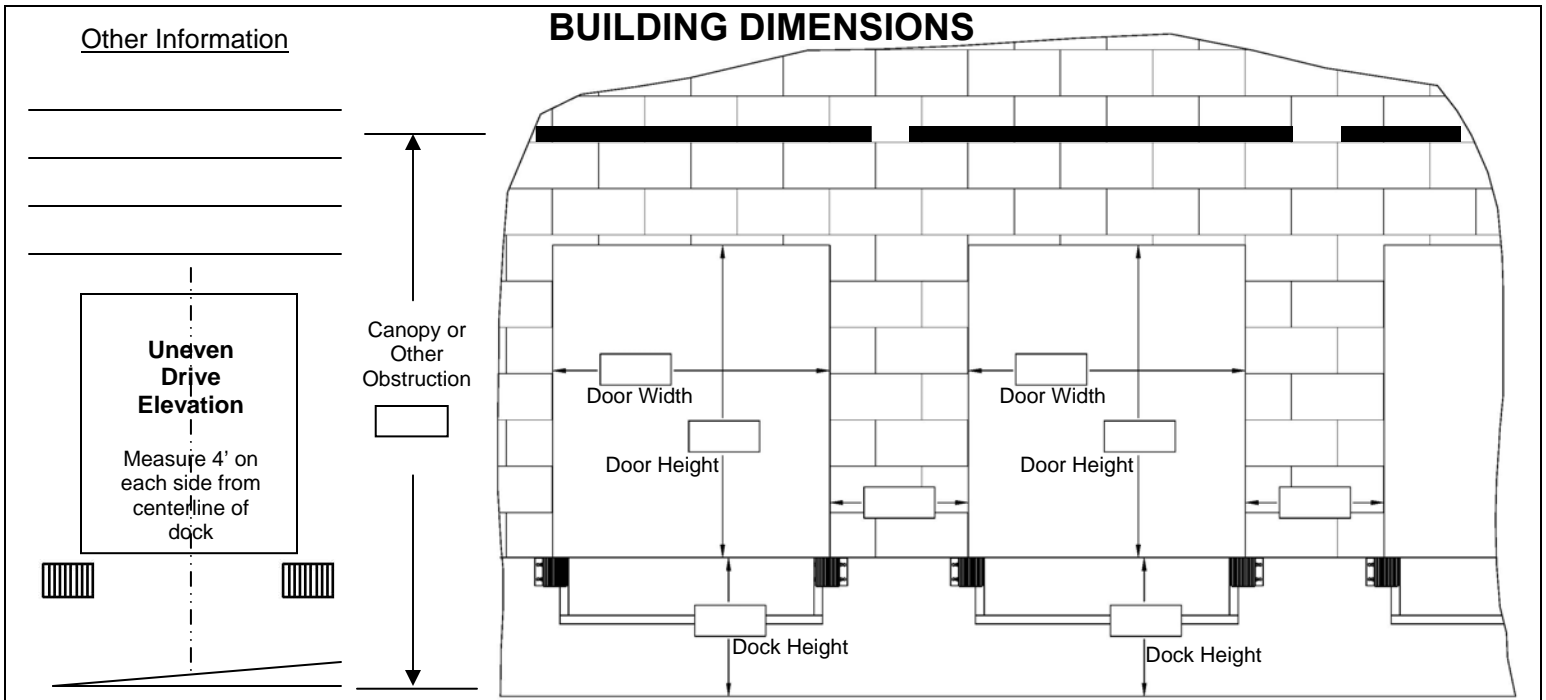


### Vehicle Restraint Information

Lip Length \_\_\_\_\_  
 Lip Keeper Projection \_\_\_\_\_  
 Drive to Stored Lip Height \_\_\_\_\_  
 Extension Bracket Projection \_\_\_\_\_  
 Extension Bracket Height \_\_\_\_\_  
 Restraint Back-Plate Height \_\_\_\_\_  
 Manufacturer & Model \_\_\_\_\_  
 Activation (circle): Powered / Manual \_\_\_\_\_  
 Dock Stored Lip Limit Switch Present Y / N \_\_\_\_\_

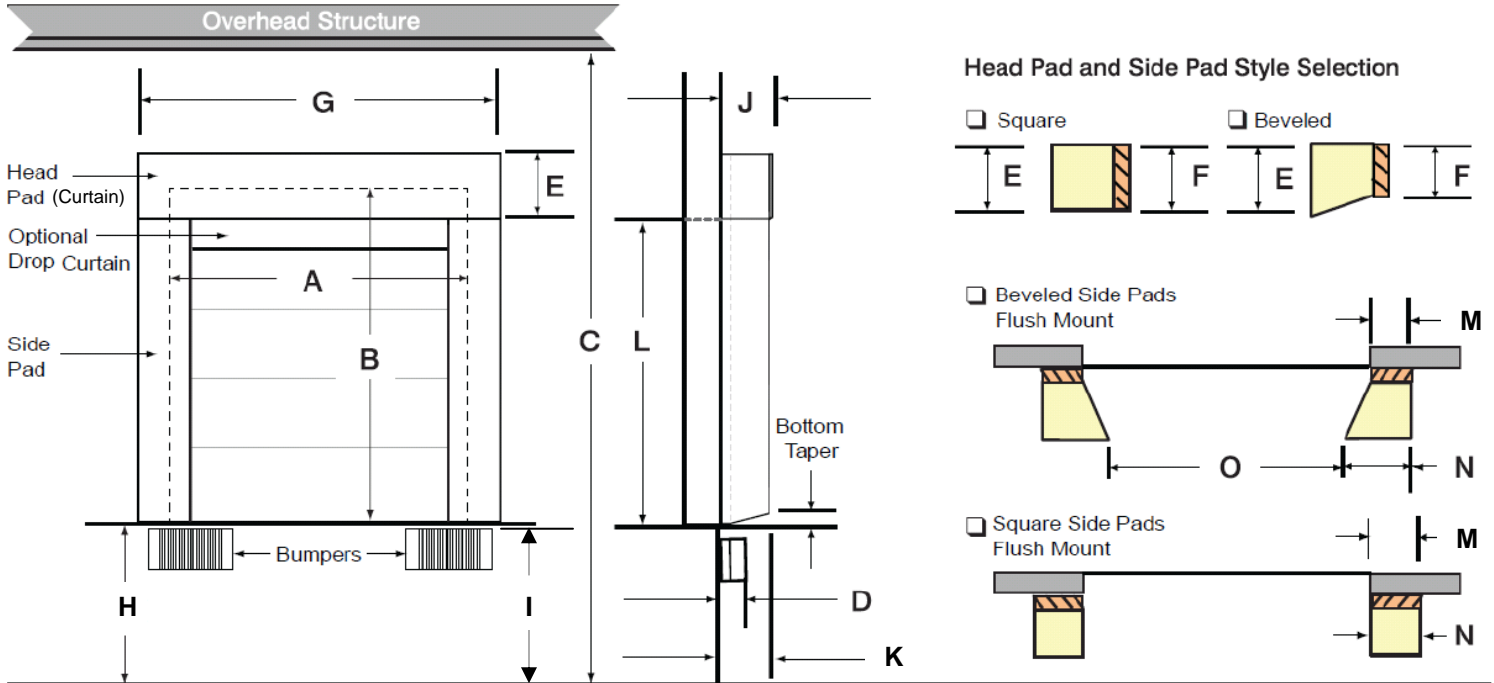


Equipment Condition  
 \_\_\_\_\_  
 \_\_\_\_\_



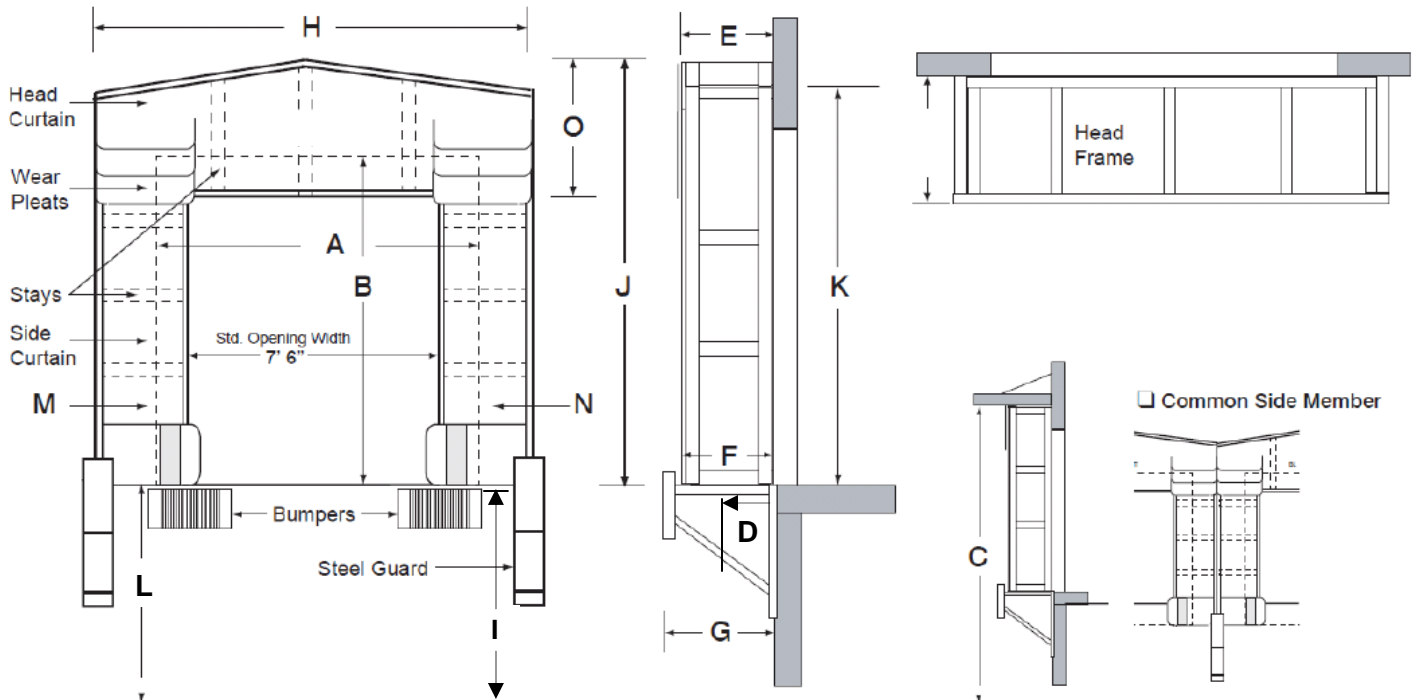


## DOCK SEAL INFORMATION



Door Width	A _____	Head Pad Width	G _____	Side Pad Back	M _____	Wear Pleat Exposure 4" / 8" / 16" W/P Fabric: 50 oz / 40 oz / 22 Vinyl 40 oz Hypalon-Like
Door Height	B _____	Dock Height	H _____	Side Pad Front	N _____	
Height To Canopy	C _____	Bumper Height	I _____	Inside Seal Width	O _____	Equipment Condition: _____
Bumper Projection	D _____	Top Projection	J _____	Fabric: 50 oz / 40 oz / 22 oz Vinyl 40 oz Hypalon-Like		_____
Head Pad Height	E _____	Bottom Projection	K _____	Backing: Wood / Steel		_____
HD Pad Ht. Back	F _____	Side Pad Length	L _____			_____

## DOCK SHELTER INFORMATION



Door Width	A _____	Bottom Projection	F _____	Side Member Ht.	K _____	Fabric: 50 oz / 40 oz / 22 Oz Vinyl 40 oz Hypalon-Like
Door Height	B _____	Steel Guard Proj.	G _____	Dock Height	L _____	
Height To Canopy	C _____	Shelter Width	H _____	Lt Curtain Width	M _____	Equipment Condition: _____
Bumper Projection	D _____	Bumper Height	I _____	Rt Curtain Width	N _____	_____
Top Projection	E _____	Shelter Height	J _____	Hd Curtain Height	O _____	_____
				Backing: Wood / Steel		_____